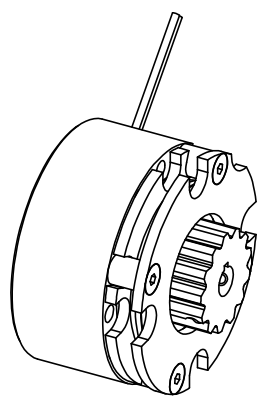
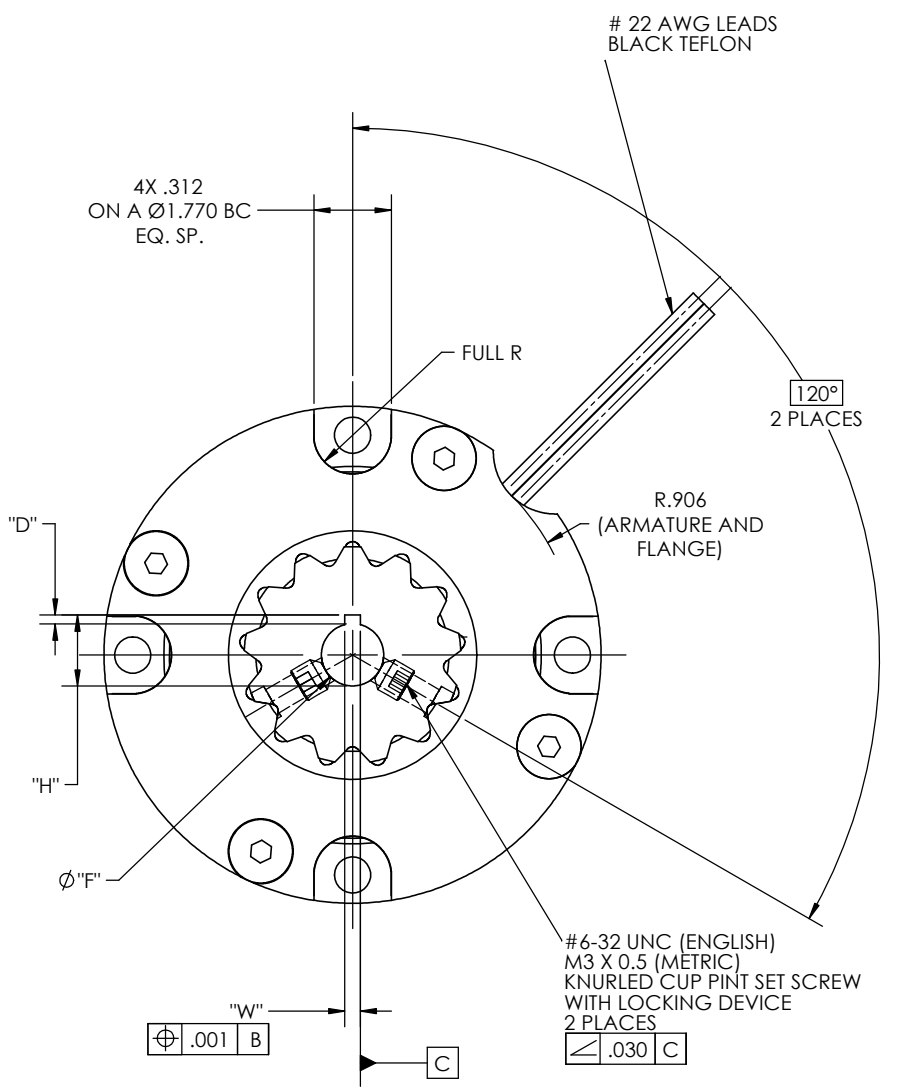
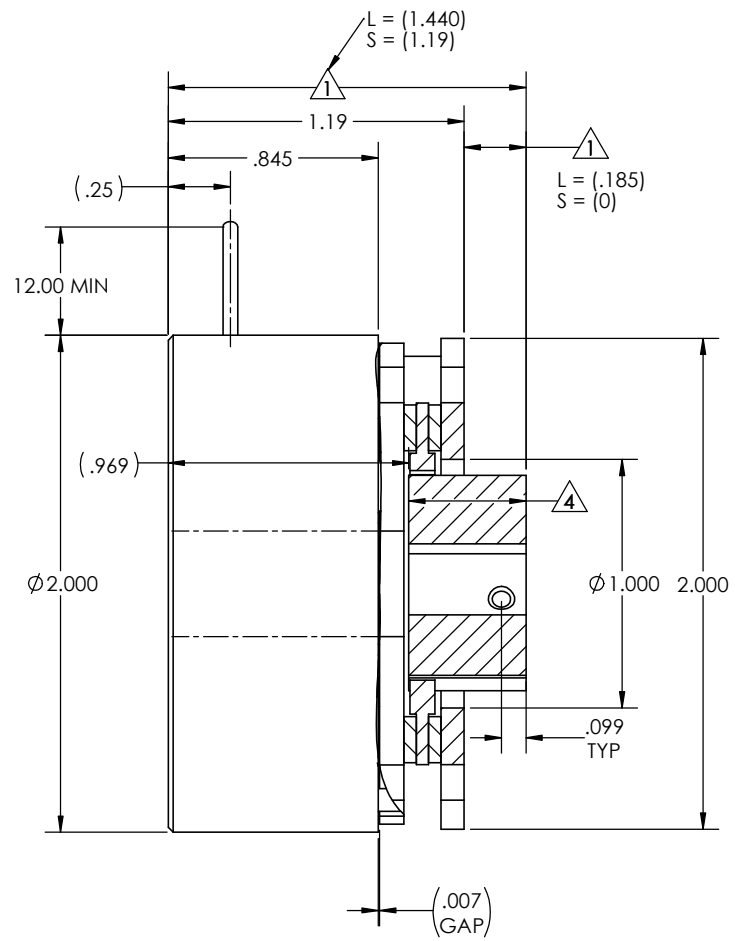
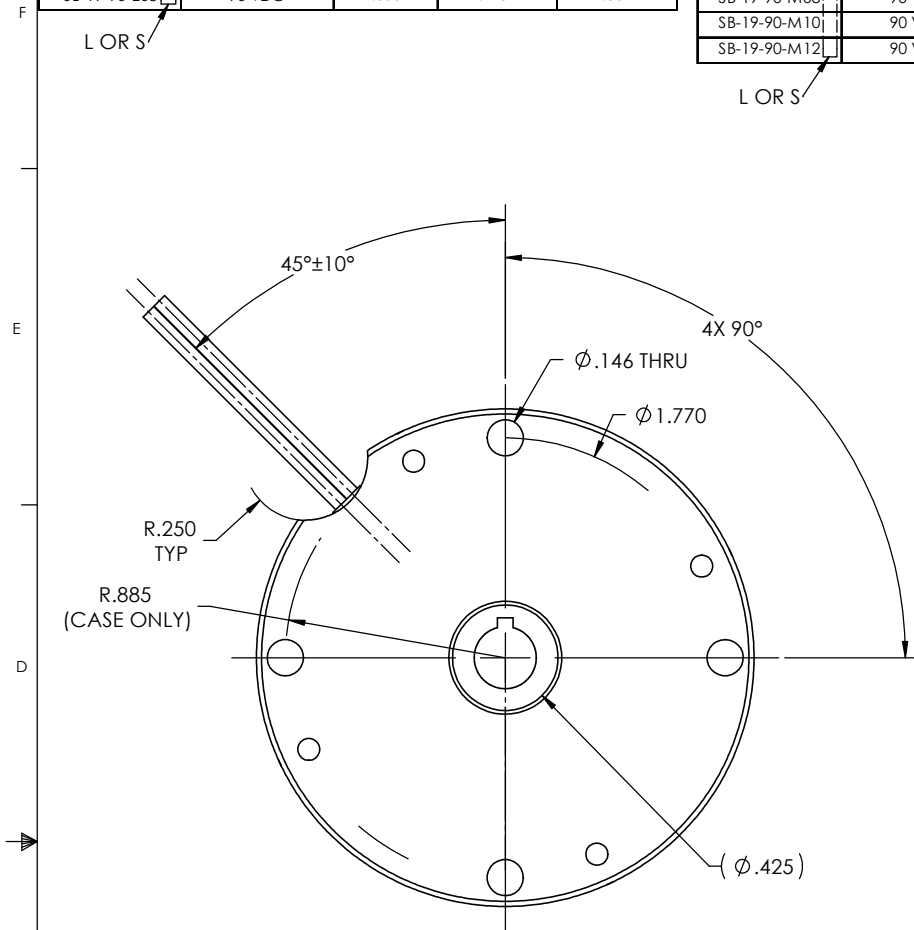


UNIT NUMBER	VOLTAGE	Ø"F"	"W"	"H"
SB-19-24-E04	24 VDC	.250	.0625	.286
SB-19-24-E06	24 VDC	.375	.0938	.425
SB-19-24-E08	24 VDC	.500	.1252	.564
SB-19-90-E04	90 VDC	.250	.0625	.286
SB-19-90-E06	90 VDC	.375	.0938	.425
SB-19-90-E08	90 VDC	.500	.1252	.564

UNIT NUMBER	VOLTAGE	Ø"F" (H8)	"W" (J99)	"H"
SB-19-24-M06	24 VDC	6MM	2MM	1.0MM
SB-19-24-M08	24 VDC	8MM	3MM	1.4MM
SB-19-24-M10	24 VDC	10MM	3MM	1.4MM
SB-19-24-M12	24 VDC	12MM	4MM	1.8MM
SB-19-90-M06	90 VDC	6MM	2MM	1.0MM
SB-19-90-M08	90 VDC	8MM	3MM	1.4MM
SB-19-90-M10	90 VDC	10MM	3MM	1.4MM
SB-19-90-M12	90 VDC	12MM	4MM	1.8MM

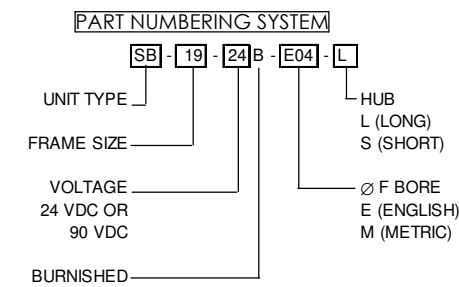
REV	ECO	DESCRIPTION	DATE	BY	CHECKED
-	-	NEW DRAWING	-	-	-
A	11309	1. WAS 1.375	12/20/12	JFH	BWB



ASSEMBLY AND ALL COMPONENTS MUST MEET EU DIRECTIVE 2002/95/EC (RoHS)

TECHNICAL DATA @ 20°C		
STATIC TORQUE (LB IN MIN)	18	
COIL : VOLTAGE (DC)	24	90
RESISTANCE (OHMS)	53.6±10%	764.5±10%
WAITS (MAX)	12.0 @ 24 VDC	11.8 @ 90 VDC
RELEASE (PULL IN) VOLTAGE (MAX)	16.0 VDC	60.0 VDC
	21.6 VDC @ 140°C	81.0 VDC @ 140°C
PULL-IN msec (NOM)	35	
DROP-OUT msec (NOM)	10	
DIELECTRIC STRENGTH	500 VAC - 60 HZ - 1 MIN	
INSULATION RESISTANCE	500 MEGSOHMS MIN @ 500 VDC	
ROTOR/HUB INERTIA (NOM)	2.3626 x 10 ⁻⁴ [-5] LB IN SEC ²	
WEIGHT	.69 LB	

HUB LOCATION (SET BY CUSTOMER)
 CAN BE MOUNTED ON EITHER FACE
 100°C MOTOR AMBIENT TEMP. @ BRAKE LOCATION
 BRAKE COIL TEMP RISE (40°C) WHEN CONTINUOUSLY
 ENERGIZED @ RATED VOLTAGE. i. e., 140°C
 BRAKE WILL RELIABLY RELEASE @ 90%
 OF RATED VOLTAGE.
 S= HUB .020 OFF ARMATURE
 AND FLUSH WITH FLANGE.
 BACKLASH REQUIREMENT: 1.5° MAX.



<p>THIRD ANGLE PROJECTION</p>	<p>UNLESS OTHERWISE SPECIFIED: DIMENSIONS ARE IN INCHES DIAMETERS CONCENTRIC .003 TIR FACES PERPENDICULAR .003 INTERPRETATION PER ASME Y14.5M-1994</p>	<p>REMOVE ALL BURRS AND BREAK SHARP EDGES .003/010 ALL INSIDE CORNERS TO BE .015 R MAX UNLESS OTHERWISE SPECIFIED</p>	<p>THOMSON DELTRAN</p>
	<p>FRACTIONS ±1/64 DECIMALS .00 ±.01 ANGLES ±30' .000 ±.005</p>	<p>HEAT TREAT -</p>	<p>FINISH -</p>
<p>THE INFORMATION CONTAINED IN THIS DRAWING IS THE SOLE PROPERTY OF THOMSON DELTRAN ANY REPRODUCTION IN PART OR WHOLE WITHOUT THE WRITTEN PERMISSION OF THOMSON DELTRAN IS PROHIBITED</p>	<p>SIZE DWG. NO. SB-19 CATALOG C C</p>		<p>SCALE 2:1 SHEET 1 OF 1 CODE IDENT: 58655</p>